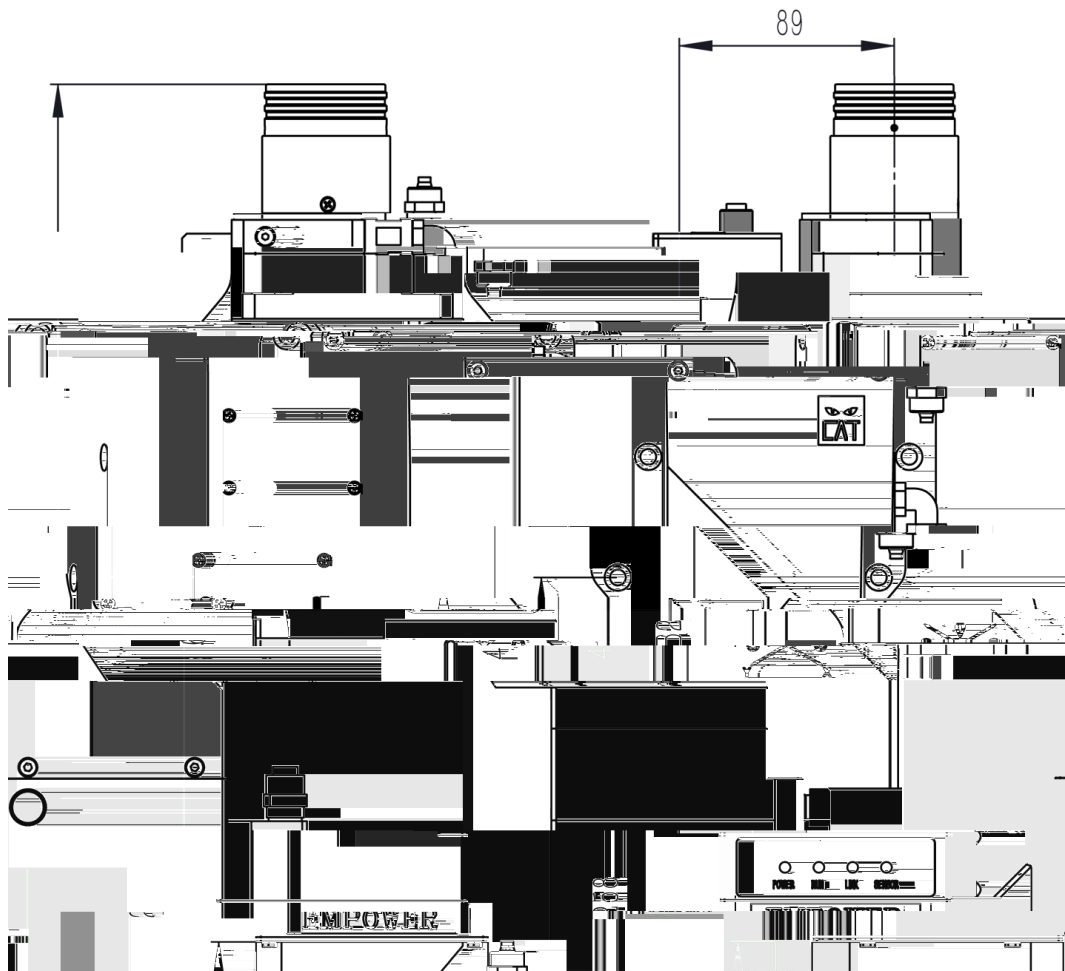
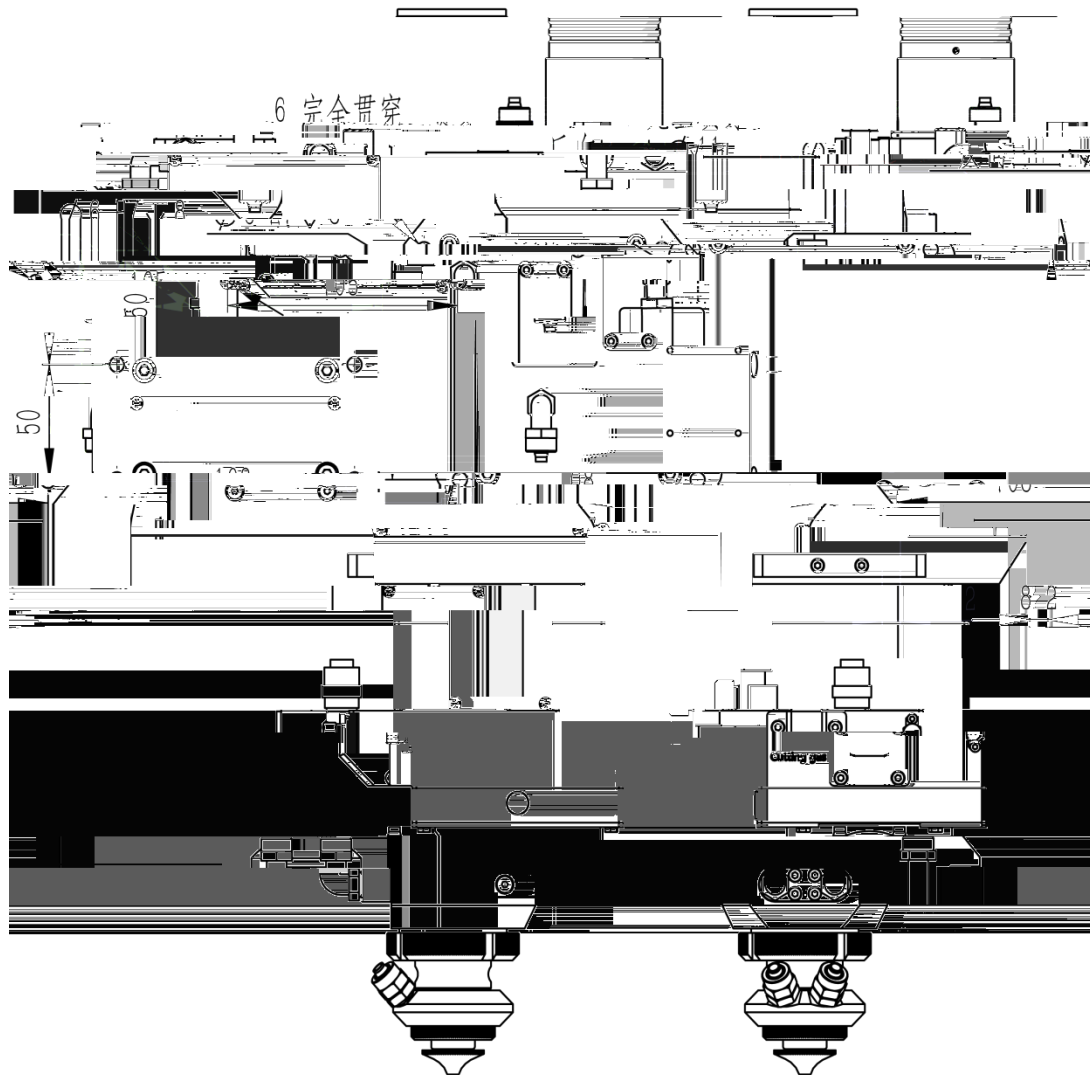
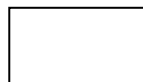
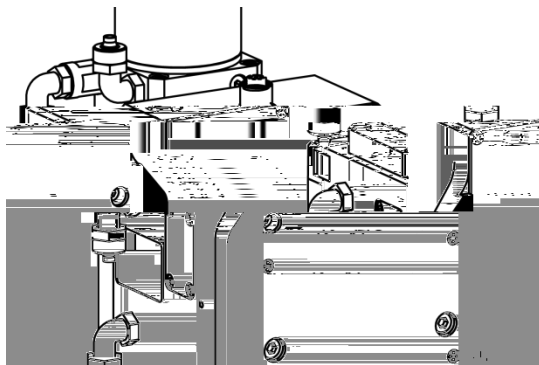


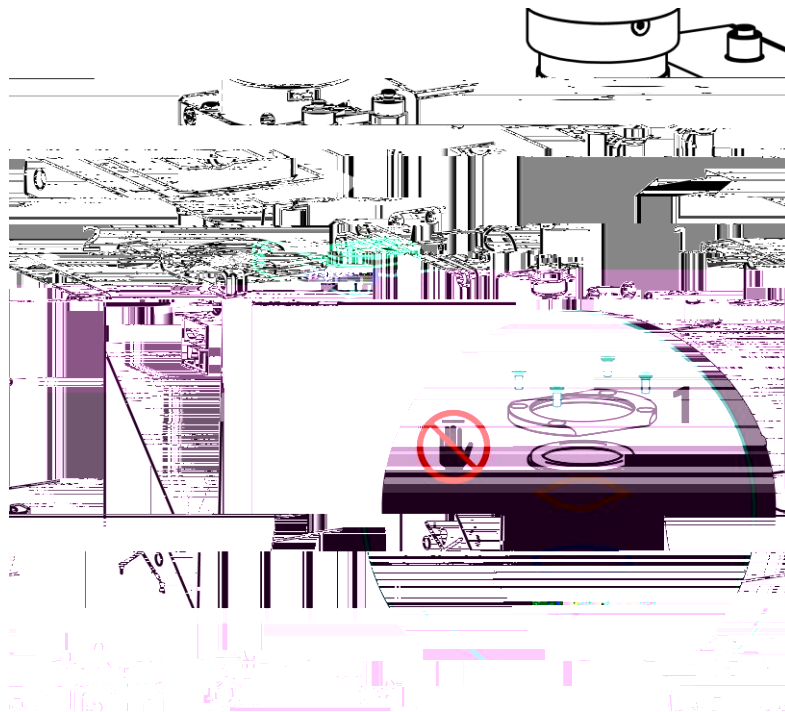


.....	1
.....	1
.....	2
.....	2
.....	3
.....	4
.....	5
.....	6
.....	6
.....	7
.....	8
.....	9
.....	10
.....	11
.....	13
.....	15
.....	15
.....	16
.....	16
.....	17
.....	19









As shown above, loosen bolts (1&2) to pull out cover glass holder by pinching 2 edges of drawer type holder (3).

Seal the mounting openings by textured tape immediately.

Remove the pressing ring (1) and cover glass (2) after wearing fingertips.

Clean the cover glass holder (3) and pressing ring (1).

Install the cleaned or new cover glass (regardless of the front or back surface) into the holder of cover glass.

Install the pressing ring (1).

Insert the cover glass holder (3) back to the laser head and tighten the bolts.

